



GRAND SEAL

## *Grand Seal Mechanical Seal*

Grand Seal Mechanical Seal is a professional manufacturer and exporter of mechanical seals, pumps, gaskets, o-rings and other sealing materials. The products are widely used in many fields, such as spacecraft machinery, metallurgy, printin

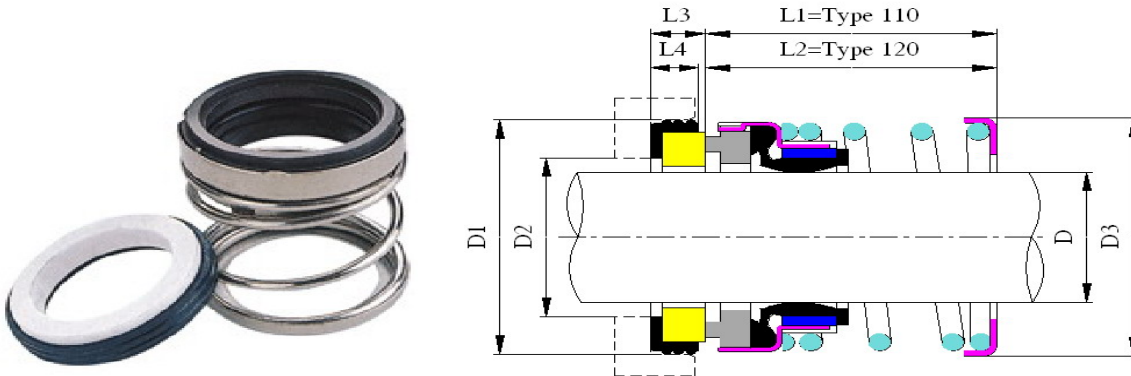




**GRAND SEAL**

# Grand Seal Mechanical Seal

## TYPE 21



Single spring, rubber diaphragm seal designed for different sized seat housings and seal working lengths to the Type 21. The imperial sizes are most commonly found on American equipment.

### GRAND SEAL STANDARD SIZES

Inch Shaft Size D	Size Code	Metric Shaft Size D	Size Code	D1	D2	D3	L1	L2	L3	L4
0.500'	0127	12	0120	25.40	19.05	23.90	20.62	31.75	7.93	6.35
0.625'	0158	14	0140	31.75	23.80	26.70	22.22	34.93	10.28	8.71
		16	0160	31.75	23.80	26.70	22.22	34.93	10.28	8.71
0.750'	0191	18	0180	34.93	26.98	31.10	22.22	34.93	10.28	8.71
0.875'	0222	20	0200	38.10	30.15	33.40	23.80	36.50	10.28	8.71
		22	0220	38.10	30.15	33.40	23.80	36.50	10.28	8.71
1.000'	0254	24	0240	41.28	33.32	43.20	25.40	41.28	11.10	9.53
		25	0250	41.28	33.32	43.20	25.40	41.28	11.10	9.53
1.125'	0286	28	0280	44.44	36.50	46.30	26.97	42.85	11.10	9.53
1.250'	0317	30	0300	47.63	37.90	49.40	26.97	42.85	11.10	9.53
		32	0320	47.63	37.90	49.40	26.97	42.82	11.10	9.53
1.375'	0349	33	0330	50.80	42.84	52.60	28.58	42.85	11.10	9.53
		35	0350	50.80	42.84	52.60	28.58	42.85	11.10	9.53
1.500'	0381	38	0380	53.98	46.05	55.80	28.58	42.85	11.10	9.53
1.625'	0412	40	0400	60.33	50.80	62.20	34.93	50.80	12.70	11.10
1.750'	0444	43	0430	63.50	53.97	66.00	34.93	50.80	12.70	11.10
		44	0440	63.50	53.97	66.00	34.93	50.80	12.70	11.10
1.875'	0476	45	0450	66.68	57.15	66.60	38.10	53.98	12.70	11.10
2.000'	0508	48	0480	69.85	60.32	73.00	38.10	53.98	12.70	11.10
		50	0500	69.85	60.32	73.00	38.10	53.98	12.70	11.10
2.125'	0539	53	0530	76.20	60.32	73.30	42.88	60.32	14.28	12.70
2.250'	0571	55	0550	79.38	61.90	78.40	42.88	60.32	14.28	12.70
2.375'	0603	58	0580	82.55	67.39	82.00	46.02	63.50	14.28	12.70
		60	0600	82.55	67.39	82.00	46.02	63.50	14.28	12.70
2.500'	0635	63	0630	85.73	68.25	84.90	46.02	63.50	14.28	12.70
2.625'	0666	65	0650	85.73	71.24	88.40	49.20	69.85	15.90	14.50
2.750'	0698	68	0680	88.90	74.60	92.60	49.20	69.85	15.90	14.50
		70	0700	88.90	74.60	92.60	49.20	69.85	15.90	14.50
2.875'	0730	73	0730	95.25	77.77	94.85	52.37	73.03	15.90	14.50
3.000'	0762	75	0750	98.43	80.95	101.90	52.37	73.03	15.90	14.50

Seal Ring : CARBON, TUNGSTEN CARBIDE, SILICON, CARBIDE  
 Seal (insert) : CERAMIC, TUNGSTEN CARBIDE, SILICON, CARBIDE  
 Elastomers : BUNA, VITON  
 Metal Parts : 304 STAINLESS

Maximum Operating Limits	
PRESSURE 200 psi	SPEED 15 m/s
TEMPERATURE -40 + 200°C	