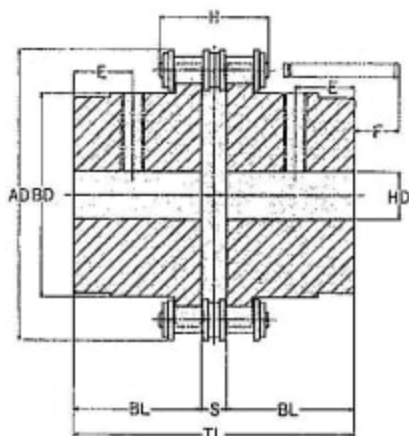


***OCM CHAIN COUPLING IS POWERFUL, ECONOMICAL AND EASY FOR USE.***



## OCM CHAIN COUPLING



OCM chain coupling consists of two sprockets and one length of two strand roller chain. It is very simple and flexible.

Flexibility of the roller chain and clearance between the chain and sprocket teeth allow slight misalignment.

Aluminum cases are used as a safety measure, a grease reservoir and to protect couplings from dust or moisture.

Coupling No	Chain Type	Bore Diameter		AD	TL	BD	BL	S	H	E	F	Coupling weight (kg)
		Stock bore mm	Max HD mm									
CC3012	06B-2	10	16	45	62	26	28.45	5.1	23.7	12	6	0.3
CC4012	40-2	11	22	61	79.4	36	36	7.4	32.2	16	8	0.8
CC4014	40-2	11	28	69	79.4	43	36	7.4	32.2	16	8	1.1
CC4016	40-2	12	32	77	87.4	51.5	40	7.4	32.2	20	4	1.6
CC5014	50-2	15	35	86	99.7	53	45	9.7	40.6	20	10	2
CC5016	50-2	15	40	96	99.7	64	45	9.7	40.6	20	10	2.8
CC5018	50-2	18	45	106	99.7	73.5	45	9.7	40.6	20	10	3.6
CC6018	60-2	21	56	128	123.5	89	56	11.5	50.2	26	13	6.4
CC6022	60-2	25	71	152	123.5	114.4	56	11.5	50.2	26	13	9.8
CC8018	80-2	30	80	170	141.2	115	63	15.2	65.1	28	25	12.8
CC8022	80-2	35	100	203	157.2	140	71	15.2	65.1	28	17	19
CC10020	100-2	40	110	233	178.8	160	80	18.8	79	34	27	30
CC12018	120-2	50	125	255	202.7	170	90	22.7	99.1	32	45	40.5
CC12022	120-2	50	140	304	222.7	208	100	22.7	99.1	35	35	65

### Casing Dimensions

Coupling No	OD mm	CH mm	Weight Kg	N-M
CC3012	60	58	0.1	4xM4
CC4012	74	70	0.2	4XM5
CC4014	83	70	0.3	4XM5
CC4016	90	70	0.3	4XM5
CC5014	103	88	0.5	4XM6
CC5016	110	88	0.5	4XM6
CC5018	120	95	0.6	4XM6
CC6018	142	106	1	4XM8
CC6022	166	116	1.2	4XM8
CC8018	187	130	2	4XM8
CC8022	222	147	3	4XM8
CC10020	258	160	4.6	4XM10
CC12018	280	190	5.3	4XM10
CC12022	334	207	8.1	4XM12

