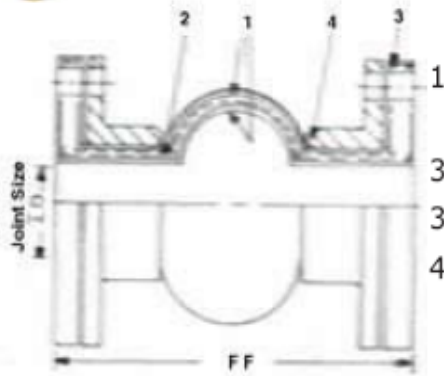




## Design Layout



Item #	Part	Materials
1	Body	Butyl. Other elastomers also available
3	Reinforcement	Nylon Cord
3	Rubber Flange	Butyl or other elastomers
4	Split Retain Rings	Cast ductiles iron flanges, various drillings available.

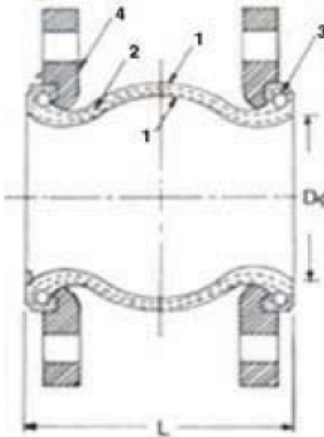


## Movement and Operating Conditions

Joint Size I.D. mm(in.)	Face To Face (in.)	Max Pressure/Max Vacuum (P.S.I.G) (in.Hg)	Max Temperature °F	Allowable Movement				
				Axial Compression (in.)	Elongation (in.)	Deflection Lateral (in.) Angular (°)		
50(2)	6	150	15	250	1-3/4	3/4	3/4	35
65(5/2)	6	150	15	250	1-3/4	3/4	3/4	30
80(3)	6	150	15	250	1-3/4	3/4	3/4	30
100(4)	6	150	15	250	1-3/4	3/4	3/4	25
125(5)	6	150	15	250	1-3/4	3/4	3/4	25
150(6)	6	150	15	250	1-3/4	3/4	1	20
200(8)	6	150	15	250	1-3/4	3/4	1	20
250(10)	8	150	15	250	1-3/4	3/4	1	15
300(12)	8	150	15	250	1-3/4	3/4	1	15
350(14)	8	130	10	250	2	7/8	1-1/8	12
400(16)	8	110	10	250	2	7/8	1-1/8	12
450(18)	8	110	10	250	2	7/8	1-1/8	9
500(20)	8	110	10	250	2	7/8	1-1/8	9
600(24)	10	100	10	250	2-1/4	1	1-1/8	9



## Design Layout



Item #	Part	Materials
1	Body	Neoprene. Other elastomers also available
2	Reinforcement	Nylon Cord
3	Wire	Hard Steel Wire
4	Flange	Mild Steel. Various galvanized drillings available.



## Movement and Operating Conditions

Diam. mm(in)	Length (mm)	Allowable Movement				Operating Condition		
		Axial Compression	Axial Elongation	Transverse Deflection	Angular Deflection	Max. Pressure kg/cm <sup>2</sup> (PSIG)	Max. Temperature °C(°F)	Vacuum Rating (in.)
25(1)	150	1/2"	3/8"	±1/2"	15°	16(225)	104(220)	660(26.40)
40(3/2)	150	1/2"	3/8"	±1/2"	15°	16(225)	104(220)	660(26.40)
50(2)	150	1/2"	3/8"	±1/2"	15°	16(225)	104(220)	660(26.40)
65(5/2)	150	1/2"	3/8"	±1/2"	15°	16(225)	104(220)	660(26.40)
80(3)	150	1/2"	3/8"	±1/2"	15°	16(225)	104(220)	660(26.40)
100(4)	150	5/8"	3/8"	±1/2"	15°	16(225)	104(220)	660(26.40)
125(5)	150	5/8"	3/8"	±1/2"	15°	16(225)	104(220)	660(26.40)
150(6)	150	5/8"	3/8"	±1/2"	15°	16(225)	104(220)	660(26.40)
200(8)	150	5/8"	3/8"	±1/2"	15°	16(225)	104(220)	660(26.40)
250(10)	200	3/4"	3/4"	±3/4"	15°	16(225)	104(220)	660(26.40)
300(12)	200	3/4"	3/4"	±3/4"	15°	16(225)	104(220)	660(26.40)
350(14)	200	3/4"	3/4"	±3/4"	15°	10(150)	104(220)	660(26.40)
400(16)	200	3/4"	3/4"	±3/4"	15°	8(125)	104(220)	660(26.40)
450(18)	200	3/4"	3/4"	±3/4"	15°	8(125)	104(220)	660(26.40)
500(20)	200	3/4"	3/4"	±3/4"	15°	8(125)	104(220)	660(26.40)