

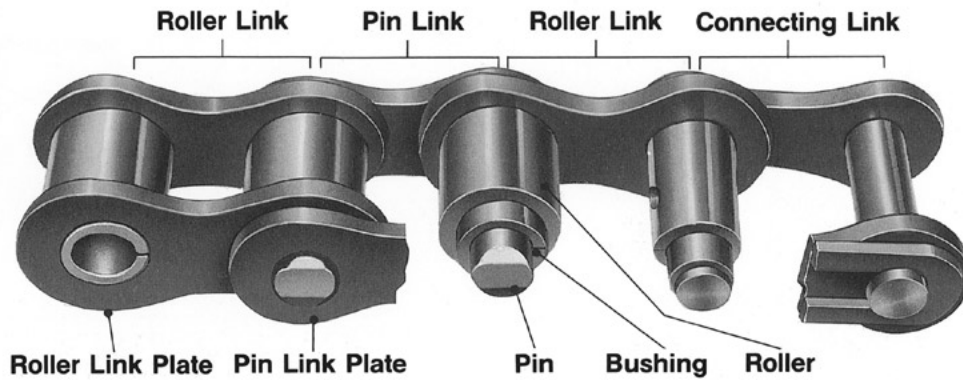
# ROLLER CHAIN

## CONSTRUCTION OF ROLLER CHAIN

Roller chain is made up of roller links and pin links.

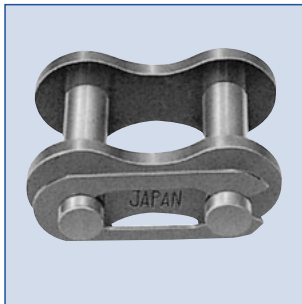
Roller link consists of two bushings press-fitted into roller link plates with two free rotating rollers over the bushings. Pin link consists of two pin link plates into which two pins are press-fitted.

There are two types of pins. Rivet and cotter types.



## ROLLER CHAIN CONNECTION

### CONNECTING LINKS



#### 1) Spring clip type

This is standard for all single and multiple strand ANSI standard chain, 80 and below and British standard chain, 16B and below.



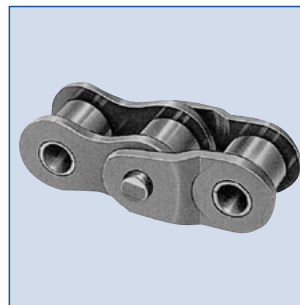
#### 3) Offset Link

An offset link is a combination of a roller link and a pin link. This link is used where the chain length is an odd number of pitches. It is recommended not to use an offset link whenever possible.



#### 2) Cotter type

This is standard for all single and multiple strand ANSI 100 and above, and British standard 20B and above.



#### 4) Two Pitch Offset Link

The unit consists of one offset and one roller link. Pins are press fitted into the link plates and the unit is more suitable for heavy impact load and high speed driving than one pitch offset link.