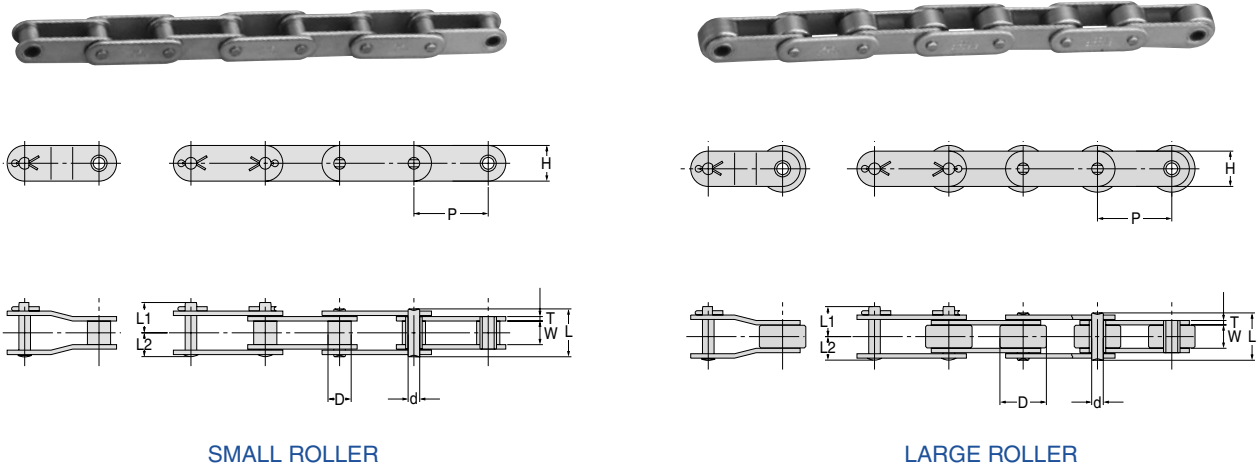


# DOUBLE PITCH CONVEYOR CHAIN

This conveyor is midway between precision roller chain and FM, FE type conveyors.



SMALL ROLLER

LARGE ROLLER

SMALL ROLLER

UNIT Upper:inch  
Beneath:mm

OCM Chain No.	ANSI No.	Pitch	Roller Diam.	Width between L.P.		Link Plate		Pin Diam.	Pin			Average Tensile Strength	Max. Working Load	Approx Weight
		P	D	W	H	T	d	L	L1	L2	Lb/kgf	Lb/kgf	Lb/ft kg/m	
C2040	C2040	1.000	0.312	0.313	0.472	0.059	0.156	0.634	0.382	0.319	3638	595	0.34	
		25.4	7.92	7.95	12	1.5	3.96	16.1	9.7	8.1	1650	270	0.51	
C2050	C2050	1.250	0.4	0.376	0.591	0.079	0.2	0.799	0.476	0.409	5952	970	0.58	
		31.75	10.16	9.55	15	2	5.08	20.3	12.1	10.4	2700	440	0.87	
C2060H	C2060H	1.500	0.469	0.5	0.677	0.126	0.234	1.13	0.65	0.563	8598	1323	1.01	
		38.1	11.91	12.7	17.2	3.2	5.95	28.7	16.5	14.3	3900	600	1.51	
C2080H	C2080H	2.000	0.625	0.626	0.945	0.157	0.313	1.413	0.839	0.709	14771	2205	1.79	
		50.8	15.88	15.9	24	4	7.94	35.9	21.3	18	6700	1000	2.66	
C2100H	C2100H	2.500	0.75	0.754	1.142	0.189	0.375	1.697	0.992	0.85	23149	3307	2.68	
		63.5	19.05	19.15	29	4.8	9.53	43.1	25.2	21.6	10500	1500	3.99	
C2120H	C2120H	3.000	0.875	1.006	1.339	0.22	0.437	2.11	1.185	1.055	33951	4630	3.76	
		76.2	22.23	25.55	34	5.6	11.11	53.6	30.1	26.8	15400	2100	5.6	
C2160H	C2160H	4.000	1.125	1.256	1.85	0.283	0.563	2.673	1.52	1.339	49604	7937	6.38	
		101.6	28.58	31.9	47	7.2	14.29	67.9	38.6	34	22500	3600	9.5	

LARGE ROLLER

UNIT Upper:inch  
Beneath:mm

OCM Chain No.	ANSI No.	Pitch	Roller Diam.	Width between L.P.		Link Plate		Pin Diam.	Pin			Average Tensile Strength	Max. Working Load	Approx Weight
		P	D	W	H	T	d	L	L1	L2	Lb/kgf	Lb/kgf	Lb/ft kg/m	
C2042	C2042	1.000	0.625	0.313	0.472	0.059	0.156	0.634	0.382	0.319	3638	595	0.58	
		25.4	15.88	7.95	12	1.5	3.96	16.1	9.7	8.1	1650	270	0.87	
C2052	C2052	1.250	0.75	0.376	0.591	0.079	0.2	0.799	0.476	0.409	5952	970	0.91	
		31.75	19.05	9.55	15	2	5.08	20.3	12.1	10.4	2700	440	1.35	
C2062H	C2062H	1.500	0.875	0.5	0.677	0.126	0.234	1.13	0.65	0.563	8598	1323	1.47	
		38.1	22.23	12.7	17.2	3.2	5.95	28.7	16.5	14.3	3900	600	2.19	
C2082H	C2082H	2.000	1.125	0.626	0.945	0.157	0.313	1.413	0.839	0.709	14771	2205	2.47	
		50.8	28.58	15.9	24	4	7.94	35.9	21.3	18	6700	1000	3.68	
C2102H	C2102H	2.500	1.563	0.754	1.142	0.189	0.375	1.697	0.992	0.85	23149	3307	4.23	
		63.5	39.69	19.15	29	4.8	9.53	43.1	25.2	21.6	10500	1500	6.3	
C2122H	C2122H	3.000	1.75	1.006	1.339	0.22	0.437	2.11	1.185	1.055	33951	4630	6.32	
		76.2	44.45	25.55	34	5.6	11.11	53.6	30.1	26.8	15400	2100	9.4	
C2162H	C2162H	4.000	2.25	1.256	1.85	0.283	0.563	2.673	1.52	1.339	49604	7937	9.74	
		101.6	57.15	31.9	47	7.2	14.29	67.9	38.6	34	22500	3600	14.5	